

# LumiStick™ Mini Frost

## LED Light Bar

### CUSTOMIZABLE

- // Custom made to any length
- // Modular system

### QUICK INSTALLATION

- // Easy installation

### ENERGY EFFICIENT

- // High luminance with very low power consumption

### WORRY FREE

- // Long maintenance free life
- // Shock and vibration proof

### WARRANTY

- // Advanced 3-year warranty



## MINI LINEAR LIGHTING SOLUTION

Introducing our newest member of the LumiStick™ family. The LumiStick™ Mini Frost comes complete with an integrated acrylic diffuser to gently blend the point source LED's. LumiStick™ Mini Frost is a modular system that allows for full customization in length and color temperature. Our simple end to end plug in connectors make installation a "snap" and our flexible connectors allow for simple corners as well as more complex design.

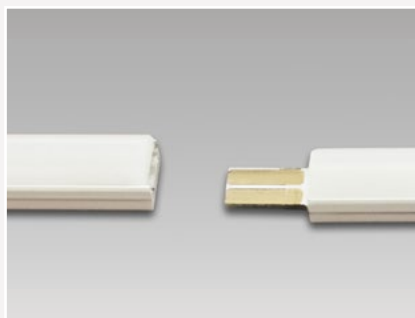
### Slim Profile

The LumiStick™ Mini design allows for easy integration into commercial & retail displays. It's simple design is also perfect for hidden recessed applications.



### High Quality LEDs

LumiStick™ Mini utilizes the same high quality LED technology as LumiSheet™, therefore color temperatures can be identically matched when used in conjunction with LumiSheet™.



### Custom Lengths

Standard lengths are available but one of the key features of the LumiStick™ Mini is the ability to create custom lengths at no additional charge.

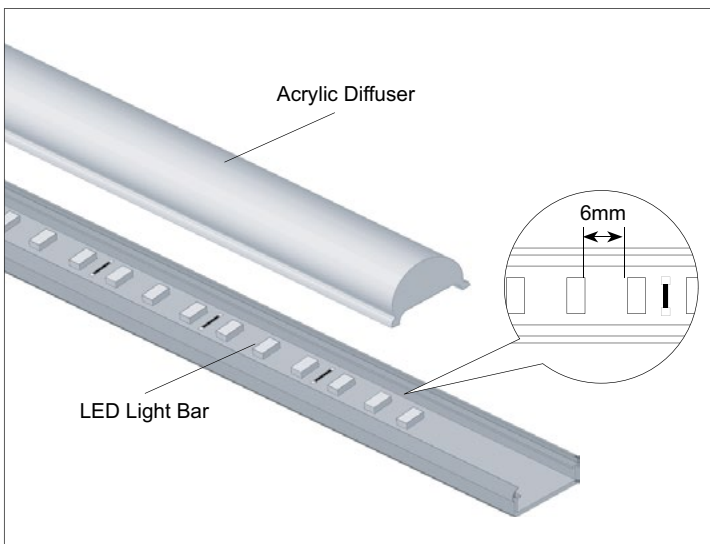


## SPECIFICATIONS

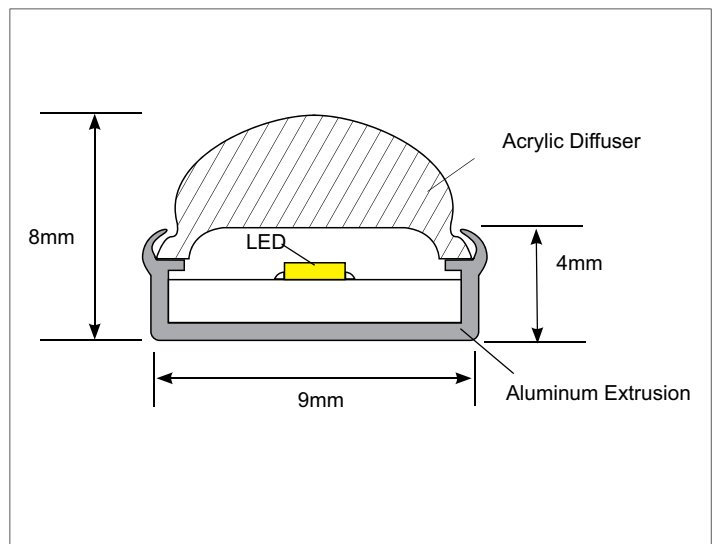
Electrical			
Input Voltage	12 Volt DC - Constant Voltage		
Power Consumption	2.3 Watts/ft		
Wire Size	20 AWG 2 Wire		
Wiring	Each light bar should be connected to a power adaptor either directly or with a spider connector provided the total power consumption of all light bars connected is less than 80% rated wattage of the power adaptor.		
Expected Lifespan	50,000 ~ 70,000 hrs		
Physical			
Lumen Output	138 lm/ft		
Color Temperature	White Warm approx. 3000K	Neutral White approx. 4100K	Pure/Cool White approx. 5300K
Mounting	Clips Supplied		
Operating Temperature	-30 °C (-22 °F) ~ +40 °C (+104 °F)		
Environment	Dry location only (Standard)		
Minimum Size	7.87" (200mm)		
Maximum Size	96" (2438mm)		
Power & Controls			
<b>Please contact Evo-Lite for optimal power &amp; control solutions to fit your requirements</b>			

Color Temperature:  Warm White 3000K  Neutral White 4100K  Pure / Cool White 5300K

## 3D DRAWING



## PROFILE





## EVO-LITE, LLC

1393 S. Santa Fe Dr. Denver, CO 80223

**MAIN PHONE:** 303-996-2980

**TOLL FREE:** 1-888-887-2980

**E-MAIL:** info@Evo-Lite.com

**URL:** www.Evo-Lite.com

### TERMS & CONDITIONS

Be sure to familiarize yourself with Evo-Lite's Terms & Conditions.  
By ordering from Evo-Lite, the purchaser agrees to all Terms & Conditions.

### PATENTS

#### LumiSheet™ PATENTS

USA: 7473022  
CANADA: 2,626,448  
JAPAN: 4427528  
CHINA: ZL 200610085027.0  
TAIWAN: 312899  
SINGAPORE: 141901  
SOUTH AFRICA: 2008/03676  
EUROPEAN UNION:  
1,780,584  
(Germany, UK, France, Italy,  
Spain, The Netherlands,  
Belgium, Sweden, Austria,  
Poland, Denmark, Greece,  
Ireland, Finland, Portugal, Czech  
Republic, Hungary, Romania,  
Slovakia, Bulgaria, Switzerland,  
Luxembourg, Slovenia, Turkey,

#### V-CUTTER FOR AN LCD LIGHT GUIDE PANEL

USA: 6619175  
JAPAN: 3500466  
TAIWAN: 155175

#### A LIGHT GUIDE PANEL WITH SALANT LIGHT GUIDING PARTS

USA: US 7,018,087 B2

#### PIN KIT FOR V-CUTTER

KOREA: 10-0552589, 10-  
0557738, 10-0557741,  
0540055, 0540053, 10-  
0772921, 10-0716543,  
10-0565890, 10-0753963,  
10-0643604,  
10-0736656, 10-0748074,  
10-0748073, 10-0762741,  
USA: 6792842  
JAPAN: 3463060  
EU: 1335817  
CHINA: ZL 01818623.8  
TAIWAN: 163820

Copyright © 2014 All rights reserved.  
Specifications are subject to change without notice.