

# LumiModule 155

## Wide Beam Angle LED Module

### ELECTRICAL

Input Voltage	12 Volt DC - Constant Voltage
Power Consumption	1.2W (Max.)
Certification	cUL, CE, RoHS

### PHYSICAL

Color Temperature	Pure / Cool White approx. 6500K
Mounting Examples	Double sided adhesive tape
Operating Temperature	- 20 °C (- 4 °F) ~ + 70° C (+ 158°F)
Environment	Dry location and Wet location
Beam Angle	155° (Wide Flood)
Dimension	1 15/16"(L) x 1 1/2"(W) x 1/4"(H) (49mm x 39mm x 6.6mm)
Luminous Flux (Typ.)	100 lm

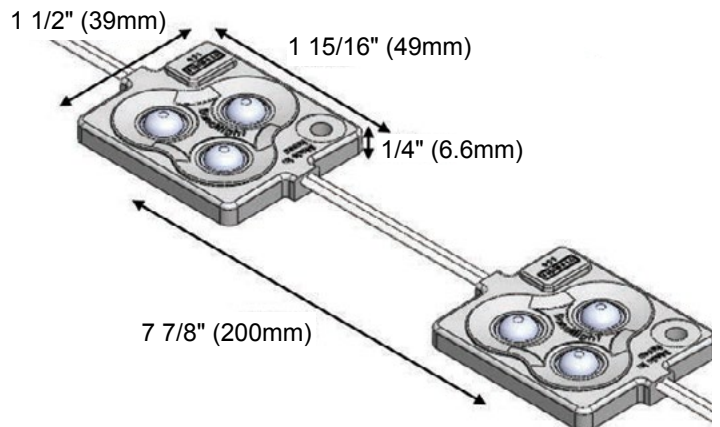
### POWER & CONTROLS

Please contact Evo-Lite for optimal power & control solutions to fit your requirements

### SPECIAL FEATURES

Low Power Consumption	• (1.2W)
Full Integration Support	•
Wide beam angle lens	• (155° lens)
High Brightness	• (100 lm, 83 lm/W)
Consistent Light Quality	•
Long Lifespan	• (40,000 ~ 50,000 at 70% light output)
Increased Safety	• (Due to low working voltage 12VDC)
3-Year Warranty	•
100% Waterproof	•

### PROFILE DIMENSIONS



Luminous Intensity Distribution  
(White 6500, Unit:cd)

