

# LumiChannel

## LED Light Channel

### CUSTOMIZABLE

// Custom lengths up to 100"

### BRIGHT & EVEN ILLUMINATION

// 3D V-Cutting technology  
// Superior consistent light quality

### EASY INSTALLATION

// Plug & play installation

### LONG LIFESPAN

// Patented heat sink technology to maximize LED lifespan (70,000 hours)

### ENERGY EFFICIENT

// Low power consumption  
(70% less than fluorescent)  
// Energy saving and maintenance free

### WARRANTY

// Advanced 3-year warranty

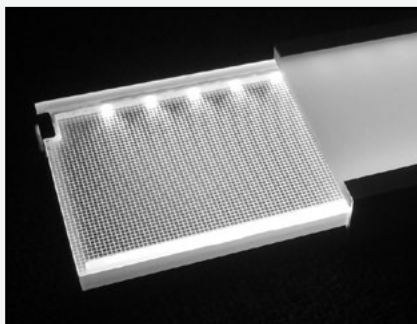


### LOW PROFILE CUSTOM FIXTURE

The LED Light Channel combines a 3" wide LumiSheet™ Light Panel and a milky white or colored diffuser into a less than 1" thick "U-Channel" made of aluminum extrusion. The standard light lengths are 12", 24", 36", 48" and 60", and can be custom made up to 100". Each Light Channel comes with two mounting brackets on both ends which make it extremely easy to install.

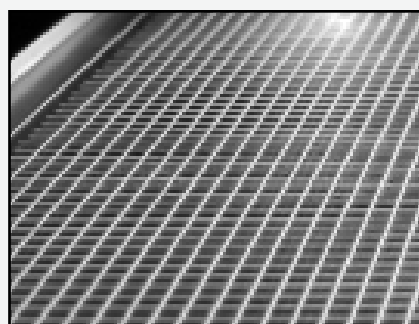
#### Integrated High Quality LEDs

LumiSheet™ LED Light Channel utilizes the LumiSheet™ technology which relies upon high quality 12V, constant voltage LEDs positioned internally, around the perimeter of the light panel.



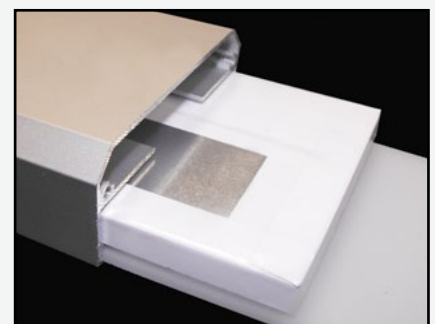
#### 3D V-Groove Light Guide Plate (LGP)

LumiSheet™ LED Light Channel incorporates the LumiSheet™ technology as the light source for this unique product offering. A crystal clear acrylic with a bonded diffusion layer combined with a patented 3D V-groove etched grid pattern provides bright, even illumination.



#### Integrated Thermal Management

All LEDs create heat which is detrimental to their life span. LumiSheet™ LED Light Channel implements LumiSheet™ and its patented technology which integrates the heat sink into the LGP to efficiently remove heat which results in longer life.



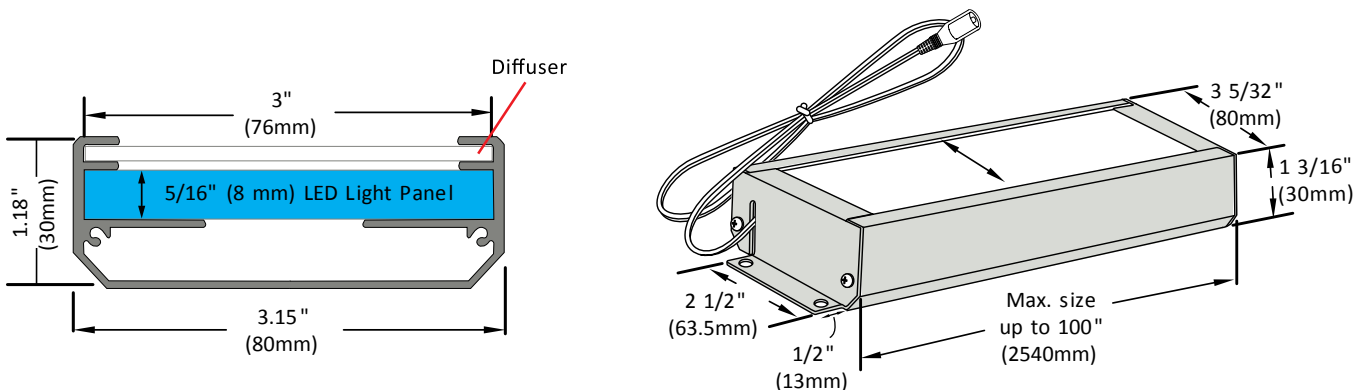
## SPECIFICATIONS

ELECTRICAL							
Input Voltage	12 Volt DC - Constant Voltage						
Power Consumption	3.5 Watts/ft (3000K, 3500K, 5300K, 6300K)	4.5 Watts/ft (4100K)	4.5 Watts/ft (Tunable White LEDs)	5.0 Watts/ft (RGB LEDs)			
Wire Size	20 AWG 2 wire (Standard LEDs)	20 AWG 3 wire (Tunable White LEDs)	22 AWG 4 wire (RGB LEDs)				
Wiring	Each panel must have direct connection to power supply. Do not wire panels in series.						
*Connector	2.1/5.5mm barrel plug [Center pin +] (Standard/HO LEDs)	3-pin molex (Tunable White LEDs)	No connector (RGB LEDs)	Custom connection types available			
PHYSICAL							
Color Temperature	Warm White ~3000K	Soft White 3500K	Neutral White ~4100K	Pure/Cool White ~5300K	Ultra White 6300K	Tunable White 3000K - 6500K	Color Adjustable **RGB
Mounting Examples	Wall mounted with screws						
Operating Temperature	-30 °C (-22 °F) ~ +40 °C (+104 °F)						
Environment	Dry location only (Standard)						
Thickness	1 3/16" (30mm)						
Minimum Size	3 5/32"W x 3"L x 1 3/16" D (76mm x 76mm x 30mm)						
Maximum Size	3 5/32"W x 100"L x 1 3/16"D (80mm x 2540mm x 30mm)						
Weight	1.95 lbs/sq. ft. + Extrusion			9.54 kg/sq. M + Extrusion			
Brightness	7,000 - 14,000 Lux						
POWER & CONTROLS							
<b>Please contact Evo-Lite for optimal power &amp; control solutions to fit your requirements</b>							
PART NUMBER	LLC12-12	LLC12-24	LLC12-36	LLC12-48	LLC12-60	LLC12-CS	
Wattage	4W	8W	12W	16W	20W		
Fixture Length	12" (305mm)	24" (610mm)	36" (914mm)	48" (1219mm)	60" (1524mm)	Max size up to 100" (2540mm)	

\* Standard 5', Optional 10'    \*\*See RGB product line for more details



## PROFILE OF LUMISHEET LED LIGHT CHANNEL





## EVO-LITE, LLC

1393 S. Santa Fe Dr. Denver, CO 80223

MAIN PHONE: 303-996-2980

TOLL FREE: 1-888-887-2980

E-MAIL: [INFO@EVO-LITE.COM](mailto:INFO@EVO-LITE.COM)

URL: [WWW.EVO-LITE.COM](http://WWW.EVO-LITE.COM)

### TERMS & CONDITIONS

Be sure to familiarize yourself with Evo-Lite's [Terms & Conditions](#).  
By ordering from Evo-Lite, the purchaser agrees to all [Terms & Conditions](#).

### PATENTS

#### LumiSheet™ PATENTS

USA: 7473022  
CANADA: 2,626,448  
JAPAN: 4427528  
CHINA: ZL 200610085027.0  
TAIWAN: 312899  
SINGAPORE: 141901  
SOUTH AFRICA: 2008/03676  
EUROPEAN UNION:  
1,780,584  
(Germany, UK, France, Italy,  
Spain, The Netherlands,  
Belgium, Sweden, Austria,  
Poland, Denmark, Greece,  
Ireland, Finland, Portugal, Czech  
Republic, Hungary, Romania,  
Slovakia, Bulgaria, Switzerland,  
Luxembourg, Slovenia, Turkey,

#### V-CUTTER FOR AN LCD LIGHT GUIDE PANEL

USA: 6619175  
JAPAN: 3500466  
TAIWAN: 155175

#### A LIGHT GUIDE PANEL WITH SALANT LIGHT GUIDING PARTS

USA: US 7,018,087 B2

#### PIN KIT FOR V-CUTTER

KOREA: 10-0552589, 10-  
0557738, 10-0557741,  
0540055, 0540053, 10-  
0772921, 10-0716543,  
10-0565890, 10-0753963,  
10-0643604,  
10-0736656, 10-0748074,  
10-0748073, 10-0762741,  
USA: 6792842  
JAPAN: 3463060  
EU: 1335817  
CHINA: ZL 01818623.8  
TAIWAN: 163820

Copyright © 2014 All rights reserved.  
Specifications are subject to change without notice.