

LumiStick™ Mini

LED Light Bar

CUSTOMIZABLE

- // Custom made to any size up to 8ft.
- // Available diffuser to meet your market's needs

QUICK INSTALLATION

- // Easy installation

ENERGY EFFICIENT

- // High luminance with very low power consumption

WORRY FREE

- // Long maintenance free life
- // Shock and vibration proof

WARRANTY

- // Advanced 3-year warranty



MINI LINEAR LIGHTING SOLUTION

LumiStick™ Mini takes the lighting components you love from LumiSheet™ and LumiStick™ and shrinks it down to an incredible 5/16" (8mm). Best used in the tight spaces within your fixtures or display cases to provide consistent reliable light from a source you trust. The rigid aluminum extrusion provides excellent heatsink keeping your LED lifespan high and the walls of the extrusion are great at focusing the beam and hiding hot spotting when viewed at an angle.

Slim Profile

The LumiStick™ Mini design allows for easy integration into commercial & retail displays. It's simple design is also perfect for hidden recessed applications.



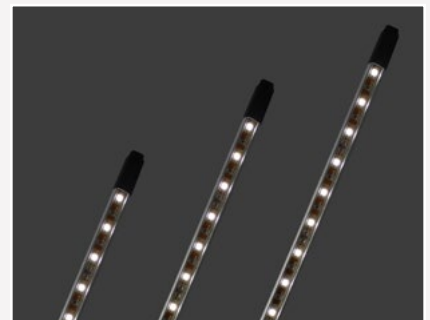
High Quality LED's

LumiStick™ Mini utilizes the same high quality LED technology as LumiSheet™, therefore color temperatures can be identically matched when used in conjunction with LumiSheet™.



Custom Lengths

Standard lengths are available but one of the key features of the LumiStick™ Mini is the ability to create custom lengths at no additional charge.

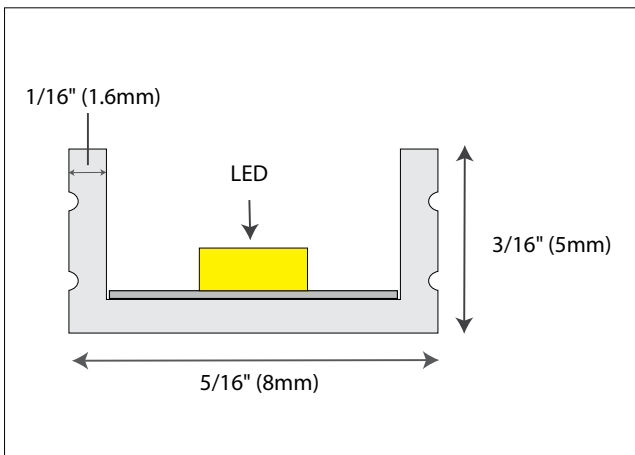


SPECIFICATIONS

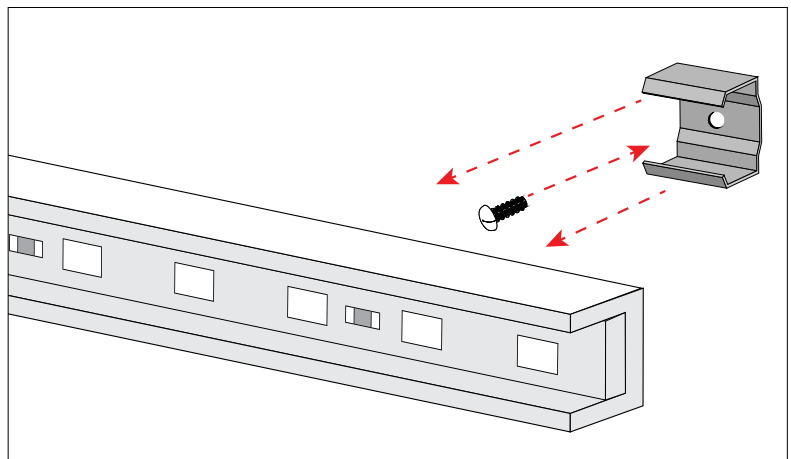
Electrical			
Input Voltage	12 Volt DC - Constant Voltage		
Power Consumption	3.0 Watts/ft		
Wire Size	20 AWG 2 Wire		
Wiring	Each light bar should be connected to a power adaptor either directly or with a spider connector provided the total power consumption of all light bars connected is less than 80% rated wattage of the power adaptor.		
Expected Lifespan	50,000 ~ 70,000 hrs		
Physical			
Color Temperature	White Warm approx. 3000K	Neutral White approx. 4100K	Pure/Cool White approx. 5300K
Mounting Examples	Double-Sided Tape, Mounting Clips		
Operating Temperature	-30 °C (-22 °F) ~ +40 °C (+104 °F)		
Environment	Dry location only (Standard)		
Thickness	3/16" (5mm)		
Minimum Size	5/16"W x 3"L x 3/16"H (8mm x 76mm x 5mm)		
Maximum Size	5/16"W x 96"L x 3/16"H (8mm x 2434mm x 5mm)		
Power & Controls			
Please contact Evo-Lite for optimal power & control solutions to fit your requirements			

Color Temperature:  Warm White 3000K  Neutral White 4100K  Pure / Cool White 5300K

PROFILE DIMENSIONS



CLIP MOUNTING





EVO-LITE, LLC

1393 S. Santa Fe Dr. Denver, CO 80223

MAIN PHONE: 303-996-2980

TOLL FREE: 1-888-887-2980

E-MAIL: info@Evo-Lite.com

URL: www.Evo-Lite.com

TERMS & CONDITIONS

Be sure to familiarize yourself with Evo-Lite's [Terms & Conditions](#).
By ordering from Evo-Lite, the purchaser agrees to all [Terms & Conditions](#).

PATENTS

LumiSheet™ PATENTS

USA: 7473022
CANADA: 2,626,448
JAPAN: 4427528
CHINA: ZL 200610085027.0
TAIWAN: 312899
SINGAPORE: 141901
SOUTH AFRICA: 2008/03676
EUROPEAN UNION:
1,780,584
(Germany, UK, France, Italy,
Spain, The Netherlands,
Belgium, Sweden, Austria,
Poland, Denmark, Greece,
Ireland, Finland, Portugal, Czech
Republic, Hungary, Romania,
Slovakia, Bulgaria, Switzerland,
Luxembourg, Slovenia, Turkey,

V-CUTTER FOR AN LCD LIGHT GUIDE PANEL

USA: 6619175
JAPAN: 3500466
TAIWAN: 155175

A LIGHT GUIDE PANEL WITH SALANT LIGHT GUIDING PARTS

USA: US 7,018,087 B2

PIN KIT FOR V-CUTTER

KOREA: 10-0552589, 10-
0557738, 10-0557741,
0540055, 0540053, 10-
0772921, 10-0716543,
10-0565890, 10-0753963,
10-0643604,
10-0736656, 10-0748074,
10-0748073, 10-0762741,
USA: 6792842
JAPAN: 3463060
EU: 1335817
CHINA: ZL 01818623.8
TAIWAN: 163820

Copyright © 2014 All rights reserved.
Specifications are subject to change without notice.