

# LED Module™

## LLM12 L 250

### BRIGHT & EVEN ILLUMINATION

- // 510lm in 6500K & 450lm in 3000K
- // Narrow beam angle 10° to 50° provides uniform lighting to double face graphic

### QUICK INSTALLATION

- // Easy installation & maintenance

### LONG LIFESPAN

- // 40,000 ~ 50,000 hrs based on 70% light output

### ENERGY EFFICIENT

- // Low power consumption (Max. 8.4W)

### SAFETY GAURANTEED

- // 100% waterproof (IP67)
- // Increased safety due to low working voltage (12VDC)

### WARRANTY

- // Advanced 3-year warranty



## FLEXIBLE SIGN & LIGHT BOX BACKLIGHTING SOLUTION

The LED Module (LLM12-L-250) is a edge-lit LED system for single and double face boxes. LLM12-L-250 has 10° x 50° narrow beam angle so that it can provide uniformed lighting distribution to the front or rear cover of the boxes by lighting from the sides. Pure/ Cool White(6500K) and Warm White(3000K) color are available. LLM12-L-250 provides many advantages like the brilliant light output, energy cost saving and maintenance cost reduction.

### NARROW BEAM ANGLE

The LLM12-L-250 LED module combines high quality LEDs with an advanced lens technology to produce a narrow beam angle that is perfect for edge lighting slim light boxes.



### DOUBLE FACE ILLUMINATION

The LLM12-L-250 LED module has been designed to evenly illuminate either single or double faced light boxes. Its compact packaging allows for easy installation.



### WATERPROOF

The LLM12-L-250 LED Module carries an IP-67 waterproof rating allowing for its use in outdoor applications.

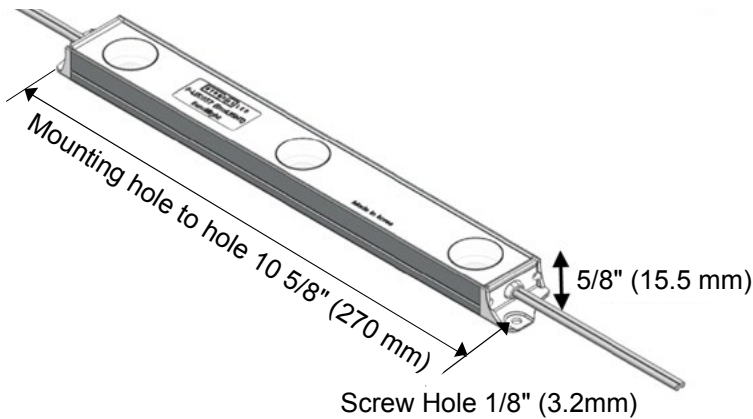


# SPECIFICATIONS

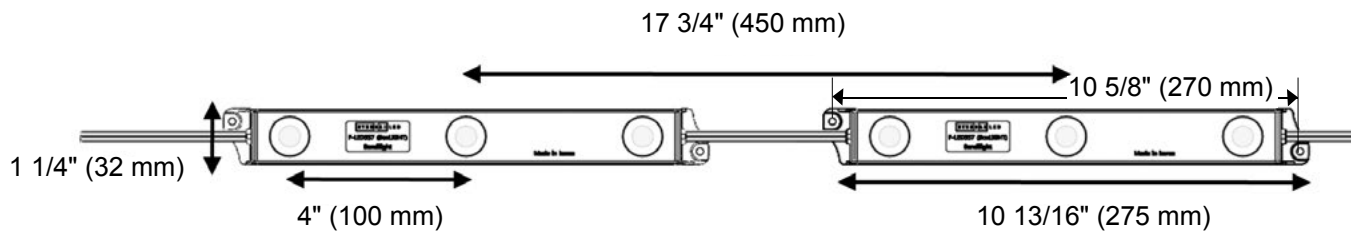
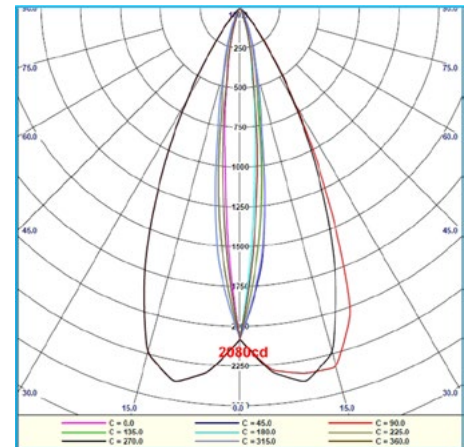
ELECTRICAL		
Input Voltage	12 Volt DC - Constant Voltage	
Power Consumption	8.4W (Max.) / 2.8W per LED	
Certification	cUL, CE, RoHS	
PHYSICAL		
Color Temperature	Pure / Cool White approx. 6500K	
Mounting Examples	Holes for screw mounting	
Operating Temperature	- 20°C (- 4°F) ~ + 70°C (+ 158°F)	
Environment	Dry location and Wet location	
Beam Angle	10° x 50° (Elliptical)	
STANDARD HARDWIRE POWER ADAPTORS		
Power Adaptors	<b>PA-60W-HW</b> 60W 12V Hardwire power adaptor Input 110V AC ~ 240V AC	<b>PA-150W-HW</b> 150W 12V Hardwire power adaptor Input 110V AC ~ 240V AC
<b>PART NUMBER</b>	<b>LLM12-L-250-WW</b>	<b>LLM12-L-250-CW</b>
Dimension	10 13/16"(L) x 1 1/4"(W) x 5/8"(H) (275mm x 32mm x 15.5mm)	
Luminous Flux (Typ.)	450lm	510lm

Color Temperature:  Pure / Cool White 6500K

# PROFILE DIMENSIONS



Luminous Intensity Distribution (White 6500, Unit:cd)





# Evo-Lite, LLC

1393 S. Santa Fe Dr. Denver, CO 80223

**Main Phone:** 303-996-2980

**Toll Free:** 1-888-887-2980

**E-mail:** info@Evo-Lite.com

**URL:** www.Evo-Lite.com

## TERMS & CONDITIONS

Be sure to familiarize yourself with Evo-Lite’s Terms & Conditions.  
By ordering from Evo-Lite, the purchaser agrees to all Terms & Conditions.

## PATENTS

### LumiSheet™ PATENTS

USA: 7473022  
CANADA: 2,626,448  
JAPAN: 4427528  
CHINA: ZL 200610085027.0  
TAIWAN: 312899  
SINGAPORE: 141901  
SOUTH AFRICA: 2008/03676  
EUROPEAN UNION: 1,780,584  
(Germany, UK, France, Italy, Spain,  
The Netherlands, Belgium, Sweden,  
Austria, Poland, Denmark, Greece,  
Ireland, Finland, Portugal, Czech  
Republic, Hungary, Romania, Slovakia,  
Bulgaria, Switzerland, Luxembourg,  
Slovenia, Turkey, Latvia)

### V-CUTTER FOR AN LCD LIGHT GUIDE PANEL

USA: 6619175  
JAPAN: 3500466  
TAIWAN: 155175

### A LIGHT GUIDE PANEL WITH SALANT LIGHT GUIDING PARTS

USA: US 7,018,087 B2

### PIN KIT FOR V-CUTTER

KOREA: 10-0552589, 10-0557738,  
10-0557741, 0540055, 0540053,  
10-0772921, 10-0716543,  
10-0565890, 10-0753963,  
10-0643604,  
10-0736656, 10-0748074,  
10-0748073, 10-0762741,  
USA: 6792842  
JAPAN: 3463060  
EU: 1335817  
CHINA: ZL 01818623.8  
TAIWAN: 163820

