

LumiLightBox™ #13

Thin Single-Sided

CUSTOMIZABLE

// Any size up to 4' x 8'

BRIGHT & EVEN ILLUMINATION

// 3D V-Cutting technology
// Superior consistent light quality
// Super thin & super bright

EASY INTALLATION

// Plug & play installation

LONG LIFESPAN

// Patented heat sink technology to maximize LED lifespan (70,000 hours)

ENERGY EFFICIENT

// Low power consumption (70% less than fluorescent)
// Energy saving and maintenance free

WARRANTY

// Advanced 3-year warranty



Frame Colors



Silver



Black

SLIM PROFILE

The LumiLightBox™ #13 (Thin Single-Sided) provides the aesthetic and application benefit of a snap frame that is 1" (25.4mm) deep with a 1 3/16" (30mm) front profile width and has the even and consistent illumination benefit of the LumiSheet™ LED light panel. The snap frame design provides a rapid and easy changing of the graphic image and is best for small (less than 24" x 36") light box applications.

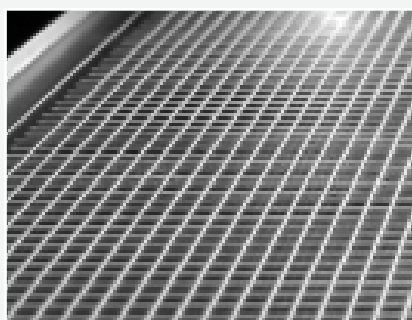
Integrated High Quality LEDs

LumiLightBox™ utilizes the LumiSheet™ technology which relies upon high quality 12V, constant voltage LEDs positioned internally, around the perimeter of the light box.



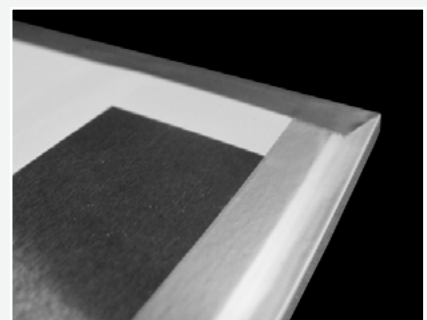
3D V-Groove Light Guide Plate (LGP)

LumiLightBox™ incorporates the LumiSheet™ technology as the light source for this unique product offering. A crystal clear acrylic with a bonded diffusion layer combined with a patented 3D V-groove etched grid pattern provides bright, even illumination.



Integrated Thermal Management

All LEDs create heat which is detrimental to their life span. LumiLightBox™ implements LumiSheet™ and its patented technology which integrates the heat sink into the LGP to efficiently remove heat which results in longer life.



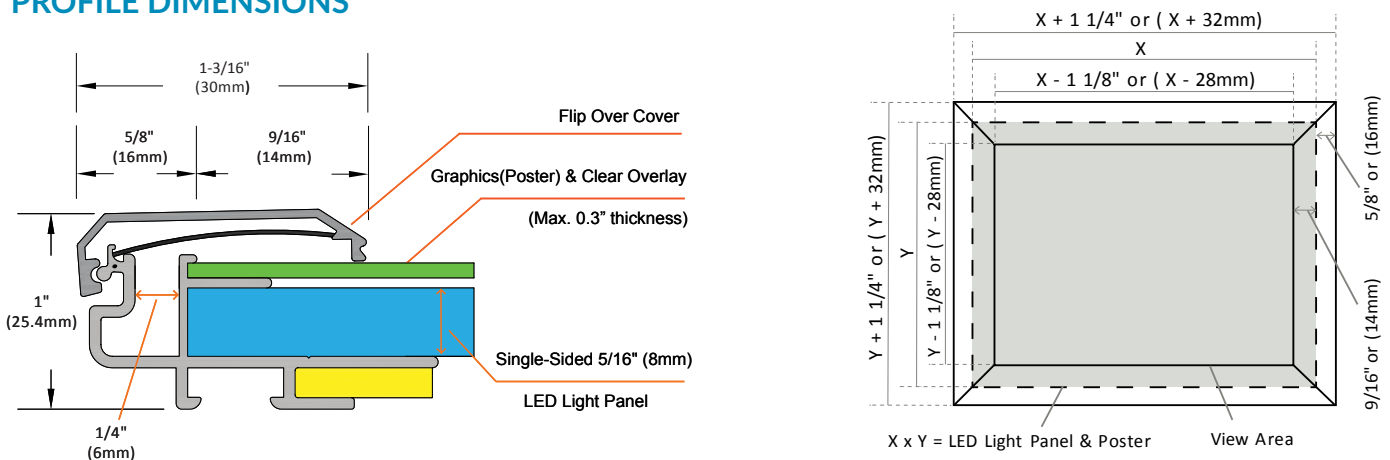
SPECIFICATIONS

ELECTRICAL							
Input Voltage	12 Volt DC - Constant Voltage						
Power Consumption	3.5 Watts/ft (3000K, 3500K, 5300K, 6300K)	4.5 Watts/ft (4100K)	4.5 Watts/ft (Tunable White LEDs)	5.0 Watts/ft (RGB LEDs)			
Wire Size	20 AWG 2 wire (Standard LEDs)	20 AWG 3 wire (Tunable White LEDs)		22 AWG 4 wire (RGB LEDs)			
Wiring	Each panel must have direct connection to power supply. Do not wire panels in series.						
*Connector	2.1/5.5mm barrel plug [Center pin +] (Standard/HO LEDs)	3-pin molex (Tunable White LEDs)	No connector (RGB LEDs)	Custom connection types available			
Certification	UL / cUL (E334549)						
PHYSICAL							
Color Temperature	Warm White ~3000K	Soft White 3500K	Neutral White ~4100K	Pure/Cool White ~5300K	Ultra White 6300K	Tunable White 3000K - 6500K	Color Adjustable RGB
Mounting Examples	Wall mounted with screws, hanging, or pendant with hanging wires						
Operating Temperature	-30 °C (-22 °F) ~ +40 °C (+104 °F)						
Environment	Dry location only (Standard)						
Thickness	8mm						
Minimum Size	8 1/2"W x 11"L x 5/16"D (216mm x 279mm x 8mm)						
Maximum Size	48" W x 96"L x 5/16"D (1219mm x 2438mm x 8mm)						
Weight	1.95 lbs/sq. ft. (8mm LGP)			9.54 kg/sq. M (8mm LGP)			
FRAME SERIES #							
	LLB12-13						
Frame Width	1 3/16" (30mm)						
Frame Thickness	1" (25.4mm)						
Frame Material & Color	Anodized Aluminum Snap Frame			Color: Silver / Black			
POWER & CONTROLS							
Please contact Evo-Lite for optimal power & control solutions to fit your requirements							

* Standard 5' (1500mm), Optional 10' (3000mm)

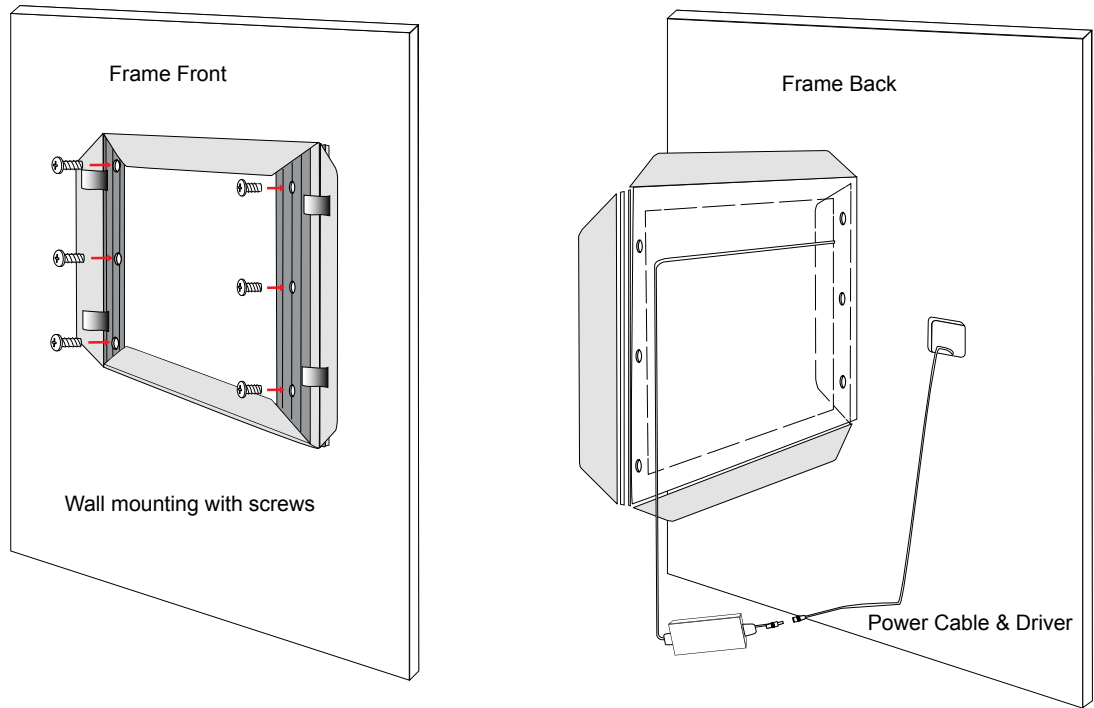


PROFILE DIMENSIONS

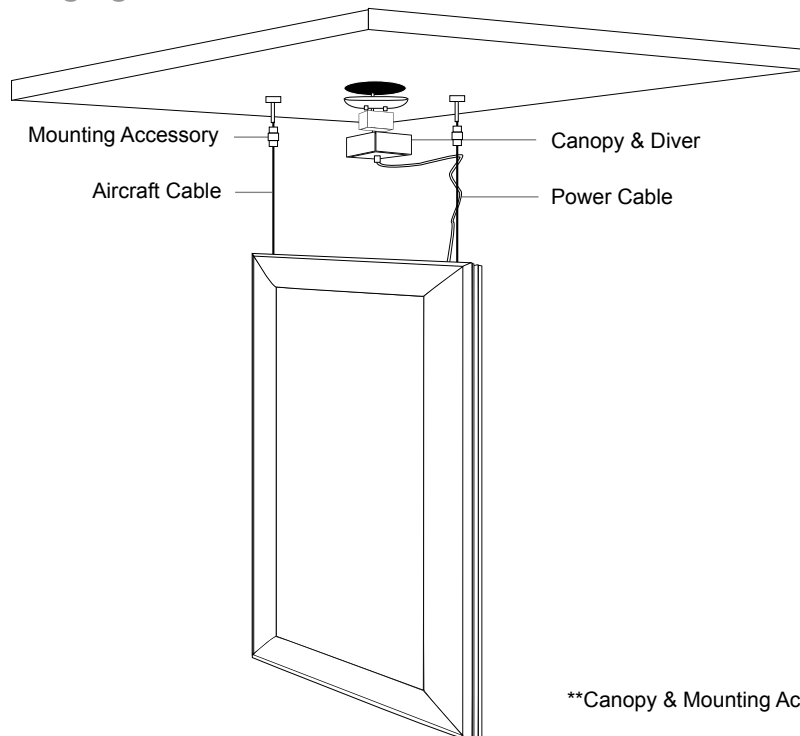


MOUNTING OPTIONS (All Mounting Hardware Sold Separately)

1 Wall Mounting With Screws



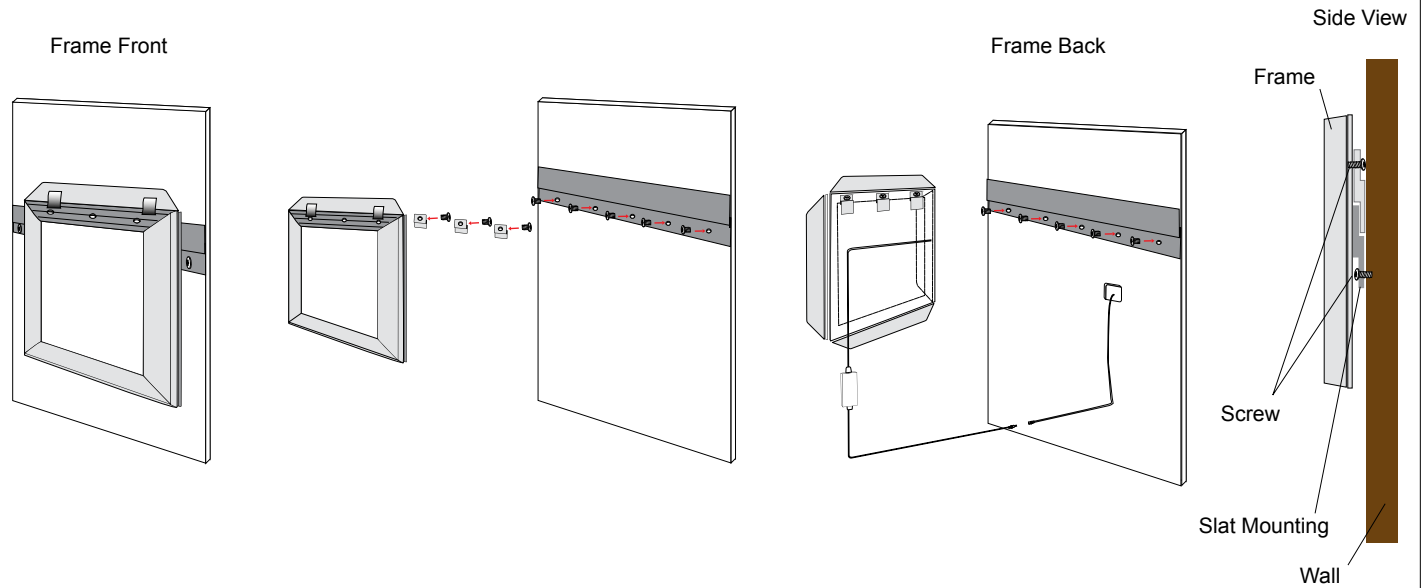
2 Pendant with Hanging Wires



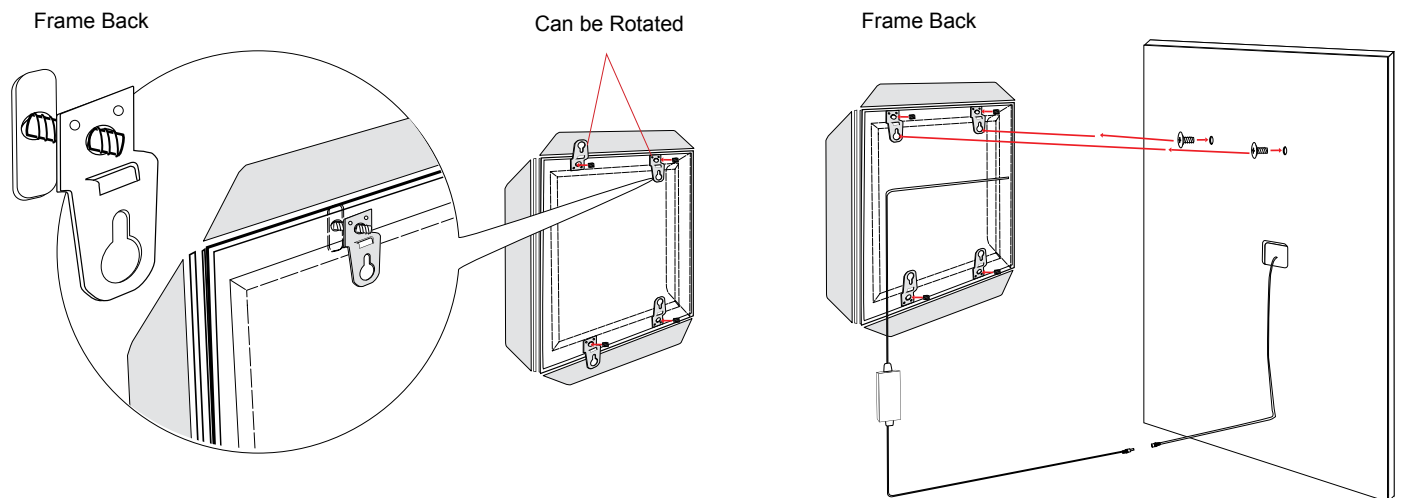
**Canopy & Mounting Accessory are not included

MOUNTING OPTIONS (All Mounting Hardware Sold Separately)

3 SLAT WALL MOUNTING WITH SCREWS



4 URO WALL MOUNTING WITH SCREWS





EVO-LITE, LLC

1393 S. Santa Fe Dr. Denver, CO 80223

MAIN PHONE: 303-996-2980

TOLL FREE: 1-888-887-2980

E-MAIL: info@Evo-Lite.com

URL: www.Evo-Lite.com

TERMS & CONDITIONS

Be sure to familiarize yourself with Evo-Lite's Terms & Conditions.
By ordering from Evo-Lite, the purchaser agrees to all Terms & Conditions.

PATENTS

LumiSheet™ PATENTS

USA: 7473022
CANADA: 2,626,448
JAPAN: 4427528
CHINA: ZL 200610085027.0
TAIWAN: 312899
SINGAPORE: 141901
SOUTH AFRICA: 2008/03676
EUROPEAN UNION:
1,780,584
(Germany, UK, France, Italy,
Spain, The Netherlands,
Belgium, Sweden, Austria,
Poland, Denmark, Greece,
Ireland, Finland, Portugal, Czech
Republic, Hungary, Romania,
Slovakia, Bulgaria, Switzerland,
Luxembourg, Slovenia, Turkey,

V-CUTTER FOR AN LCD LIGHT GUIDE PANEL

USA: 6619175
JAPAN: 3500466
TAIWAN: 155175

A LIGHT GUIDE PANEL WITH SALANT LIGHT GUIDING PARTS

USA: US 7,018,087 B2

PIN KIT FOR V-CUTTER

KOREA: 10-0552589, 10-
0557738, 10-0557741,
0540055, 0540053, 10-
0772921, 10-0716543,
10-0565890, 10-0753963,
10-0643604,
10-0736656, 10-0748074,
10-0748073, 10-0762741,
USA: 6792842
JAPAN: 3463060
EU: 1335817
CHINA: ZL 01818623.8
TAIWAN: 163820

Specifications are subject to change without notice.