

# LumiStick™

## LED Light Bar

### CUSTOMIZABLE

- // Custom made to any size up to 8ft.
- // Adjustable mounting angle with mounting brackets
- // Multi-color option

### QUICK INSTALLATION

- // Easy installation with magnets or adhesive

### ENERGY EFFICIENT

- // High luminance with very low power consumption

### WORRY FREE

- // Long maintenance free life
- // Shock and vibration proof

### WARRANTY

- // Advanced 3-year warranty



## LINEAR LIGHTING SOLUTION

The LumiStick (LED Light Bar) is easy to install and comes in 11" - 22" - 33" - 44" and 55" standard lengths and can be custom made up to 8'. LumiStick is available in 3000K, 4100K and 5300K and provides smooth even illumination without adding heat or UV radiation that can damage or fade merchandise. With its long useful life and low maintenance operation, LumiStick - LED Light Bars meets or exceeds the performance of compatible linear fluorescent fixtures; complete with lower installation, energy and maintenance costs. Plus it is easy to conceal, making it ideal for use in store fixtures, displays cases, jewellery cases, ceiling coves, china cabinets or for under / over cabinet lighting.

### SLIM PROFILE

The LumiStick™ design allows for easy integration into commercial & retail displays. Its simple design is also perfect for hidden recessed applications.



### HIGH QUALITY LEDs

LumiStick™ utilizes the same high quality LED technology as LumiSheet™, therefore color temperatures can be identically matched when used in conjunction with LumiSheet™.



### CUSTOM LENGTHS

Standard lengths are available but one of the key features of the LumiStick™ is the ability to create custom lengths at no additional charge.



# SPECIFICATIONS

## ELECTRICAL

Input Voltage	12 Volt DC -Constant Voltage
Power Consumption	4.0 Watts/ft (Standard)
Wire Size	20 AWG 2 wire
Wiring	Each light bar should be connected to a power adaptor either directly or with a spider connector provided the total power consumption of all light bars connected is less than 80% rated wattage of the power adaptor.
Certification	UL / cUL (E346146, E325925)
Expected Lifespan	50,000 ~ 70,000 hrs

## PHYSICAL

Color Temperature	Warm White approx. 3000K	Neutral White approx. 4100K	Pure/Cool White approx. 5300K	White Adjustable 3000K - 6500K	*Color Adjustable RGB
Mounting Examples	Mounting brackets with screws or magnets & 3M tapes				
Operating Temperature	-30°C (-22°F) ~ +40 °C (+104 °F)				
Environment	Dry location (Standard)				
Light Angle	0 Degree (Standard)		27 Degree (Option)		
Thickness	11.1mm				
Minimum Size	3/4"W x 3"L x 7/16"H (19mm x 76mm x 11.1mm)				
Maximum Size	3/4"W x 96"L x 7/16"H (19mm x 2434mm x 11.1mm)				
Diffuser (W) x (H)	13/16"W x 1 3/16"H (21mm x 30.2mm)				

## STANDARD PLUG-IN POWER ADAPTORS

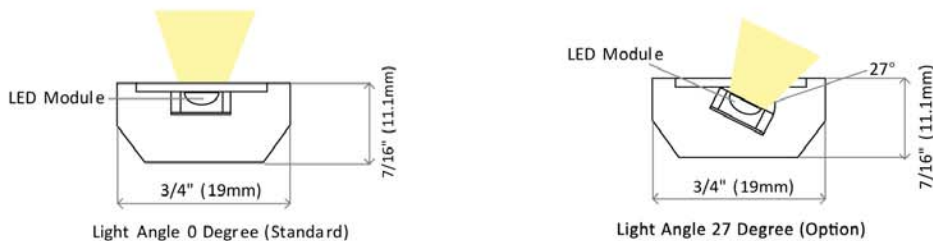
Power Adaptors	12V DC, 1A, 12W, UL listed	12V DC, 5A, 60W UL class 2 listed	
Spider Cables	PL-2: 2-way long spider cable	PL-4: 4-way long spider cable	PS-2 / PS-4 / PS-6: 2/4/6-way short spider

## STANDARD HARDWIRE POWER ADAPTORS

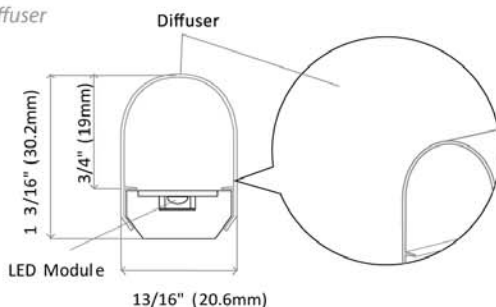
Power Adaptors	<b>PA-60W-HW</b> 60W 12V Hardwire power adaptor Input 110V AC ~ 240V AC	<b>PA-150W-HW</b> 150W 12V Hardwire power adaptor Input 110V AC ~ 240V AC
Dimming & Controls	Refer to dimming & control options	

Color Temperature:  Warm White 3000K  Neutral White 4100K  Pure / Cool White 5300K  White Adjustable 3000K - 6500K  Color Adjustable RGB

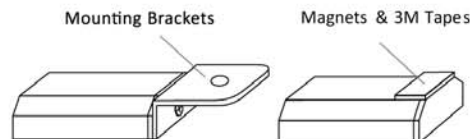
Light Angle of LED Light Bar



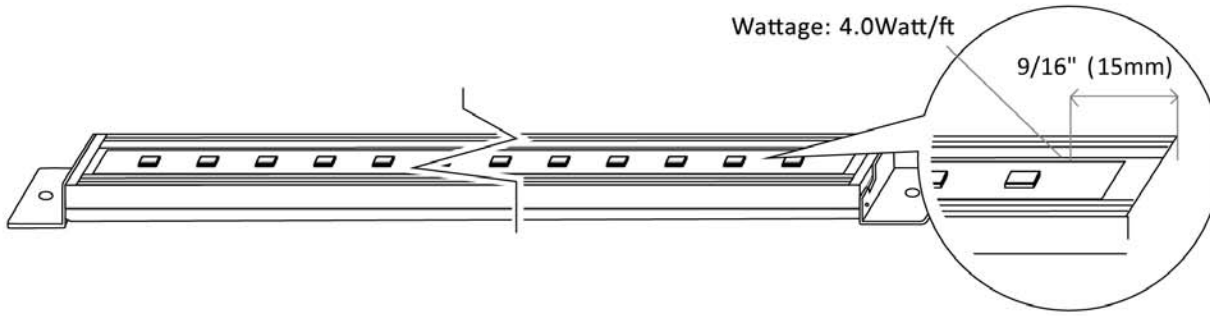
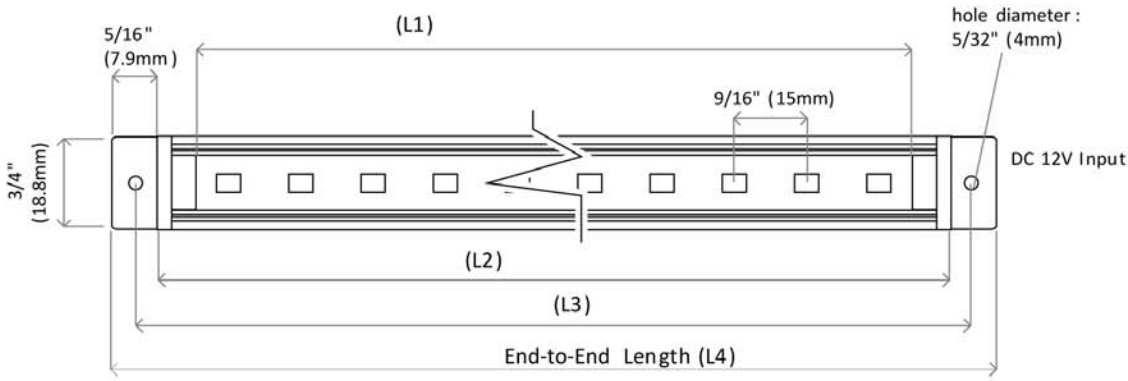
Optional LED Light Bar Diffuser



Accessories of LED Light Bar Mounting Brackets / Magnet & 3M Tapes



# DIMENSIONS

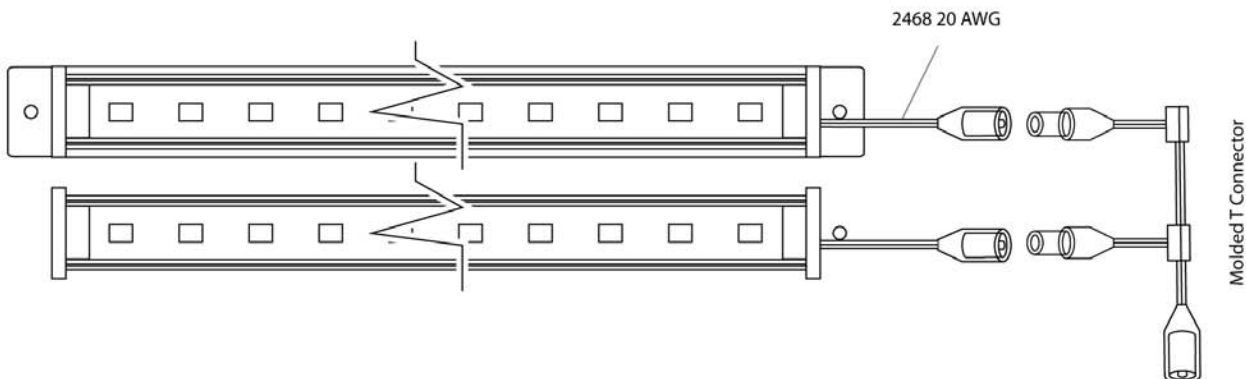


DIMENSIONS						
Length	LLMS12-300	LLMS12-580	LLMS12-860	LLMS12-1140	LLMS12-1420	LLMS12-CS
L1	11" (280mm)	22" (560mm)	33" (560mm)	44" (1118mm)	55" (1397mm)	CUSTOM SIZE
L2	11 7/8" (300mm)	22 7/8" (580mm)	33 7/8" (860mm)	44 7/8" (1140mm)	55 7/8" (1434mm)	
L3	12 7/16" (316mm)	23 7/16" (595mm)	34 7/16" (875mm)	45 7/16" (1154mm)	56 7/16" (1434mm)	
L4	13" (330mm)	24" (610mm)	35" (610mm)	46" (1168mm)	57" (1448mm)	
LIGHT OUTPUT						
Part Number	LLMS12-300	LLMS12-580	LLMS12-860	LLMS12-1140	LLMS12-1420	LLMS12-CS
Wattage	4W	8W	12W	16W	20W	According to size
Luminous Flux (lm)	272 (WW) 332 (CW)	522 (WW) 664 (CW)	816 (WW) 996 (CW)	1088 (WW) 1328 (CW)	1360 (WW) 1660 (CW)	According to size
End-to-End Length	13" (330mm)	24" (610mm)	35" (889mm)	46" (1168mm)	57" (1448mm)	Min. Size 3" (76mm) - Max. up to 8 ft
Luminous Efficacy	Warm White: 68 lm/W			Pure / Cool White: 83 lm/W		

\* WW = Warm White, CW = Pure / Cool White

# CONNECTOR OPTIONS

Wiring: parallel wiring is recommended using our 2-way, 4-way or 6-way spider connectors





# Day One Lighting, LLC

440 Tall Pines Rd., Suite D  
West Palm Beach, FL 33413

**Main Phone:** 561-318-5424

**E-mail:** info@dayonelighting.com

**URL:** www.dayonelighting.com

## TERMS & CONDITIONS

Be sure to familiarize yourself with Day One Lighting's Terms & Conditions.  
By ordering from Day One Lighting, the purchaser agrees to all Terms & Conditions.



### LumiSheet™ PATENTS

USA: 7473022  
CANADA: 2,626,448  
JAPAN: 4427528  
CHINA: ZL 200610085027.0  
TAIWAN: 312899  
SINGAPORE: 141901  
SOUTH AFRICA: 2008/03676  
EUROPEAN UNION: 1,780,584  
(Germany, UK, France, Italy, Spain,  
The Netherlands, Belgium, Sweden,  
Austria, Poland, Denmark, Greece,  
Ireland, Finland, Portugal, Czech  
Republic, Hungary, Romania, Slovakia,  
Bulgaria, Switzerland, Luxembourg,  
Slovenia, Turkey, Latvia)

### V-CUTTER FOR AN LCD LIGHT GUIDE PANEL

USA: 6619175  
JAPAN: 3500466  
TAIWAN: 155175

### A LIGHT GUIDE PANEL WITH SALANT LIGHT GUIDING PARTS

USA: US 7,018,087 B2

### PIN KIT FOR V-CUTTER

KOREA: 10-0552589, 10-0557738,  
10-0557741, 0540055, 0540053,  
10-0772921, 10-0716543,  
10-0565890, 10-0753963,  
10-0643604,  
10-0736656, 10-0748074,  
10-0748073, 10-0762741,  
USA: 6792842  
JAPAN: 3463060  
EU: 1335817  
CHINA: ZL 01818623.8  
TAIWAN: 163820

